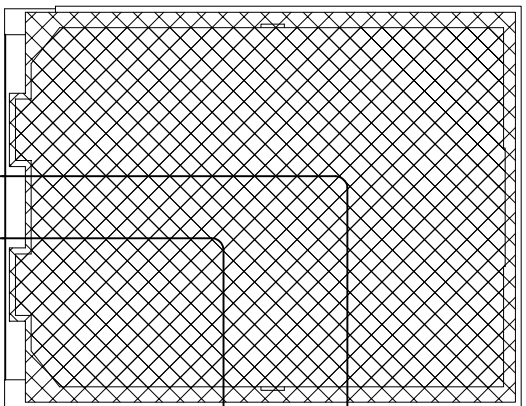
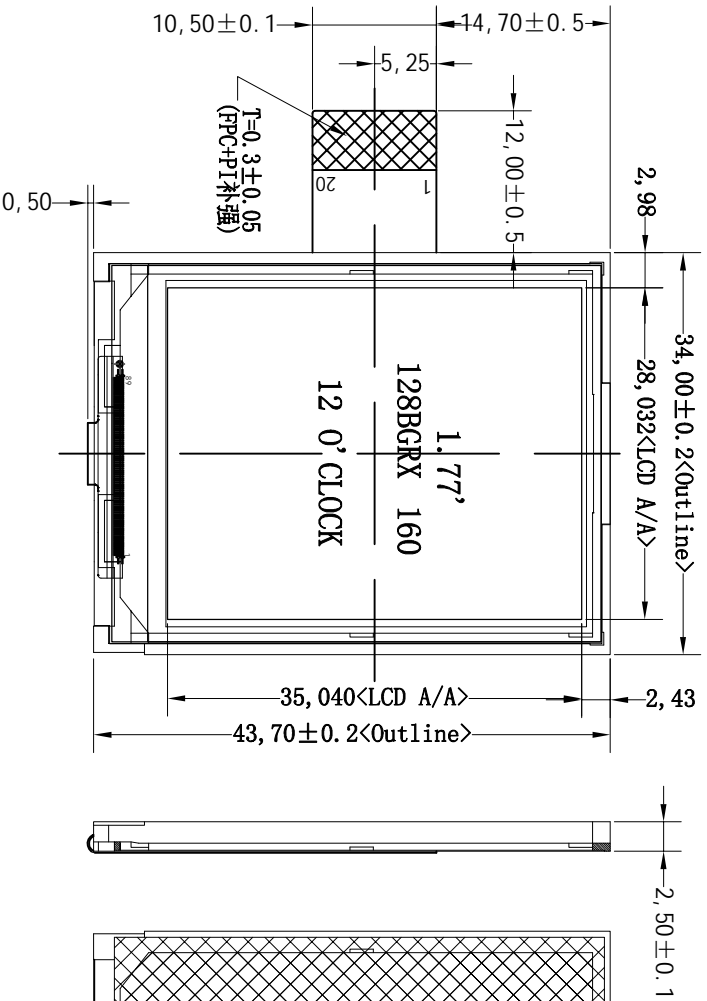
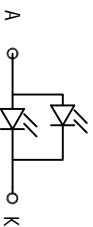


\*\*\* Do not display the fixed pattern for a long time because it may develop image sticking due to the LCM structure. If the screen is displayed with fixed pattern, use a screen saver. It is recommended to display the fixed mode for no more than 2 minutes or less.

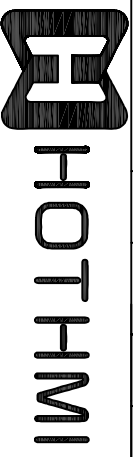


PIN NO.	SIGNAL	PIN NO.	SIGNAL
1	LED_K		
2	LED_A		
3	GND		
4	VCI		
5	NC		
6	NC		
7	CS		
8	RESET		
9	RS		
10	WR		
11	RD		
12	DB0		
13	DB1		
14	DB2		
15	DB3		
16	DB4		
17	DB5		
18	DB6		
19	DB7		
20	GND		

*1. LCD Display Type	TFT, Transmissive, Normally White	*6. Storage Temp	-30° C-80° C
*2. Viewing Direction	120° Clock (U45/D20/R45/L45)	*7. Driver IC	S17735S
*3. Interface	MCU 8 bit	*8. Backlight	WHITE VF=3.2V IF=40mA (Typ)
*4. Operating Voltage	VCI=3.3V (Typ)	*9. LCM Brightness	200 cd/m <sup>2</sup> (Typ)
*5. Operating Temp	-20° C-70° C		



BL CIRCUIT DIAGRAM:  
VF=3.2V, IF=40mA



Draw Title: TFT-H017B1CFTST2N20

Scale	1:1	Unit	MM	Tol.	±0.3
Ver:	A/0	Drawn:	Lu	Date:	2019-04-25